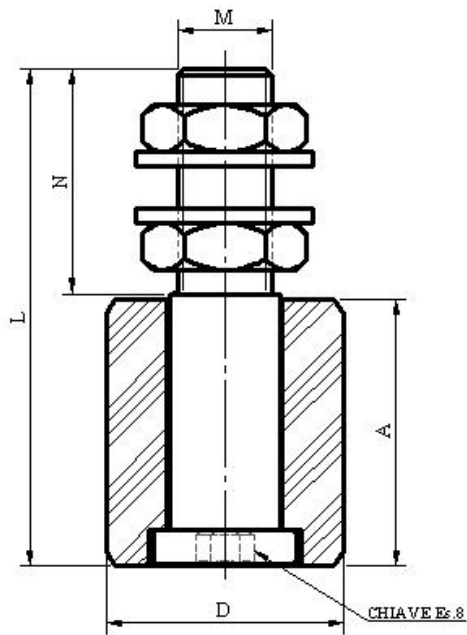


## 450 Series Nylon Rollers

Product Code	Size	A (mm)	D (mm)	L (mm)	M (mm)	N (mm)	Bolt & Nut
450-30x40	Ø30x40	40	Ø30	77	M14	35	Zinc Plated
450-40x60	Ø40x60	60	Ø40	102	M16	40	Zinc Plated



**Zinc Plated Bolt**